

# Luminos ESD<sup>TM</sup>

TABLE LAMP

Fact Sheet



This powerful LED lamp provides the ultimate in high light output. Luminos ESD is made of carbon-fibre and special conductive coatings guaranteeing full ESD compliance. It has an exceptionally wide spread of light that is dimmable, making it ideal for electronic components inspection. The arm has a long reach of 112 cm (44") and can be moved easily with one hand. The shade can be positioned effortlessly, exactly where it is needed.



LIGHT QUALITY



ERGONOMICS



DESIGN

presented by



daylight

when light matters

[daylightcompany.com](http://daylightcompany.com)

LED 6,000°K daylight

3,800 Lux at 30cm (12")

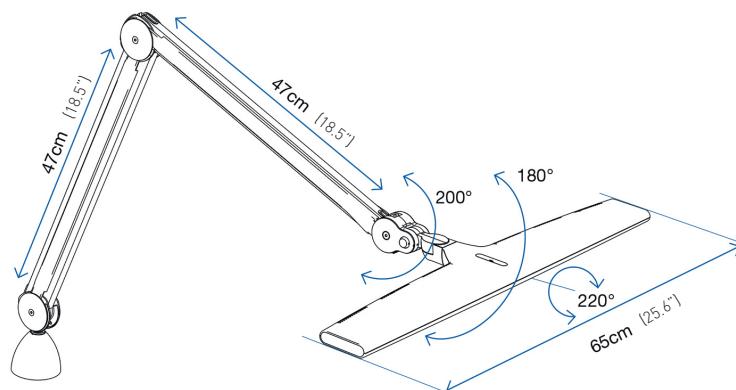
3 brightness levels

[office@daylight-lampen-leuchten.de](mailto:office@daylight-lampen-leuchten.de)

# Luminos ESD<sup>TM</sup>

D35611

## TABLE LAMP



## FEATURES

- Extra wide shade for an even spread of light over a large area
- ESD coated
- 3 brightness levels
- Long reach 112 cm
- Multi position head to direct the light where needed
- Heavy duty arm with reinforced joints and covers

## SPECIFICATIONS

### Product information

Weight	3.2 kg (7.1 lb)
Colour	Black
Cable length	2.4 m (94.5")

### Light output

Light source	LED
Lumens	1,566 lm
Lux at 30 cm (12")	3,800
Colour temperature	6,000°K
CRI	80+
Energy consumption	24W

### Packaging information

Height	40.5 cm (15.9")
Width	91.5 cm (36")
Depth	11 cm (4.3")
Packed weight	4.6 kg (10.2 lb)
Products per master carton	2