

Halo 8D™

MAGNIFIER



8 dioptries magnification (3.0X)
with 20 dioptries inset lens (6.0X)

Modern and compact, all-purpose, lightweight table magnifier providing 8 dioptries (3.0X) magnification with a 20 dioptries (6.0X) inset lens. Taking up a small place on your desk but powerful enough for working on projects that need close attention to detail. The daylight LEDs provide high contrast and accurate colour matching. It is also foldable so it is ideal for travelling.



LIGHT QUALITY



ERGONOMICS



DESIGN

presented by



daylight

when light matters

daylightcompany.com

LED 6,000°K daylight

4,000 Lux at 15cm (6")

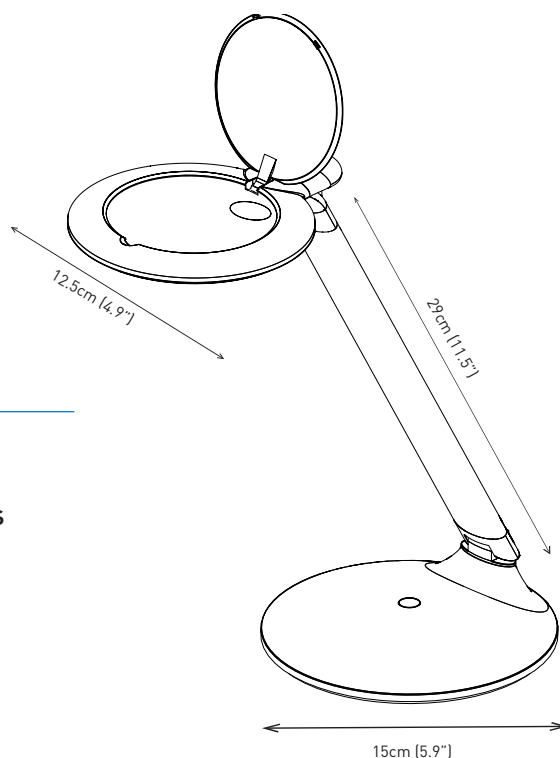
3 brightness levels

office@daylight-lampen-leuchten.de

Halo 8D™

D25300

MAGNIFIER



FEATURES

- Compact design
- 3 brightness levels
- Folds flat
- 9 cm (3.5") diameter lens
- 8 dioptries magnification lens (3.0X)
- 20 dioptries magnification inset lens (6.0X)

SPECIFICATIONS

Product information

Weight	0.85 kg (1.9 lb)
Colour	white / silver
Cable length	2 m (78.7")

Light output

Light source	LED
Lumens	315 lm
Lux at 15cm (6")	4,000
Colour temperature	6,000°K
CRI	80+
Energy consumption	6W

Packaging information

Height	36.5 cm (14.4")
Width	15.5 cm (6.2")
Depth	5.5 cm (2.2")
Packed weight	0.9kg (2lb)
Products per master carton	8